

IV. MAINTENANCE

1. The helmet must be kept clean.
2. The helmet shell, the sweatband and the chin belts can be washed with soap and water.
3. For cleaning the visor do not use petrol, benzene or acetone.

V. STORAGE AND TRANSPORT.

1. The helmets must be kept in dry, airy, sun-isolated places. Storage place should prevent the helmet from any mechanical damage.
2. The helmets can be transported in all roofed vehicles, in a collective package, on condition that they are safe from drifting, damage or getting dirty.

VI. WARRANTY CONDITIONS

The producer grants a 24-month warranty.

1. The warranty period starts with the date of purchase.
2. The warranty is granted provided that the user obeys the operating rules included in this *Instruction Manual* and uses original and unmodified spare parts.
3. The warranty covers the defects of material and damage done during the production of the helmet.
4. The warranty does not cover mechanical damage resulting from using the helmet.

The helmet retains good utility conditions until normal wear and tear.

The helmet must be replaced with a new one when its shell or the elements of inside equipment are permanently damaged as the result of a strong impact.

VII. LIST OF SPARE PARTS

1. Main belt with smooth regulation.
2. Sweatband insert.
3. Cover.
4. Supporting tapes with latches.
5. Chin belt.

For additional information please contact us on:
tel. +48 (62) 767-20-16; fax +48(62) 757-54-29;

Date of issue: 03.04.2019

The product is subject to EU by the notifying body No.0497, i.e. CSI S.p.AV.le Lombardia 20/B; 20021 BOLLATE(MI)



Kaliskie Zakłady Przemysłu Terenowego w Kaliszu Sp. z o.o.
ul. Przybrzeżna 37, 62-800 Kalisz
tel.: +48 62 767 20 16, fax: +48 62 757 54 29

使用说明书 抢险救援头盔

(头盔适用于空旷场地灭火救援、技术救援、山岳救援、皮划艇和急流水域运动)

系列: TYTAN MAX 型号: HTM102.00
CE证书编号: DPI/0497/1125



1. 主要特性

抢险救援头盔HTM102.00 (TYTAN MAX 系列) 按照以下标准要求生产:

- EN16471:2014 消防头盔, 头盔适用于空旷场地灭火救援;
- EN16473:2014 消防头盔, 头盔适用于技术性救援;
- EN12492:2012 登山装备, 头盔按登山安全装备要求检测;
- EN397:2012 工业安全头盔-条款5.1.1, 5.2.1, 5.1.2;
- EN443:2008 头盔用于建筑物和其它场合灭火救援-条款 5.13;
- EN1385:2012 头盔用于皮划艇和急流水域运动。

头盔适用于各种抢险救援活动, 包括医疗救援、各种自然灾害, 例如草原和森林火灾。

头盔HTM102.00 (TYTAN MAX 系列) 根据 (EU)2016/425标准, 属于III类个人防护装备。头盔适用于空旷场地灭火救援 (草原和森林) 以及道路和水域救援。

头盔所采用的材料, 具有高品质和高强度的机械性能, 能最大限度的保护使用者的安全。表现在:

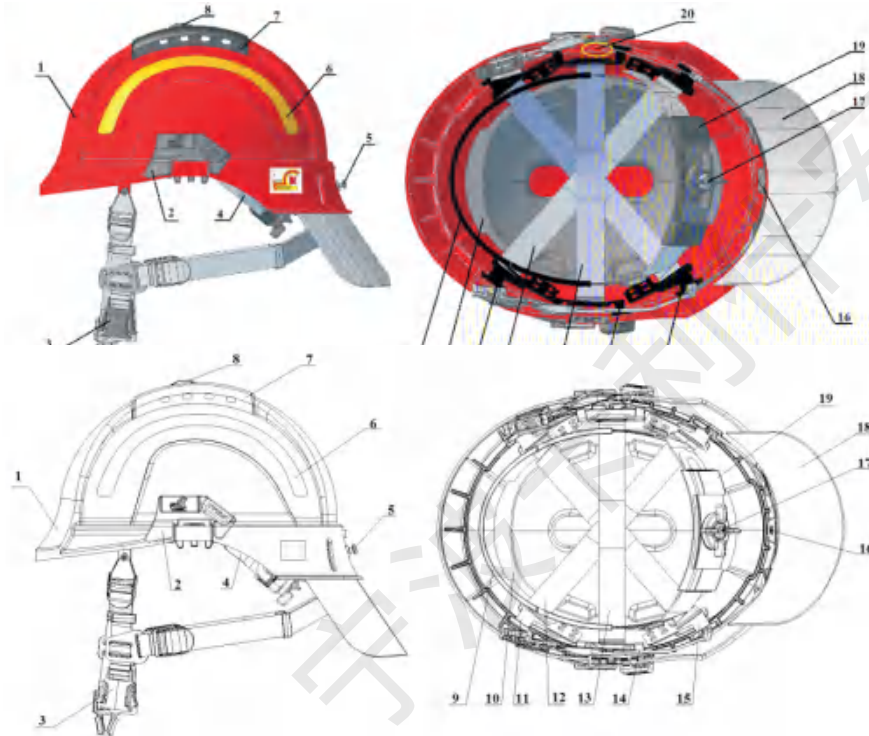
- 短暂性的火焰、具有机械性损伤的高空坠物、尖锐物体、固体碎片、电压440V以下交流电线的短暂接触

抢险救援头盔HTM102.00 (TYTAN MAX 系列) 使用的环境温度为-20℃ — +50℃；头盔内部部件通过六点式嵌入到帽壳内层；帽箍由PU软泡沫填充的真皮制成，能保护前额的磨损，更舒适；为使头盔能稳定的佩戴，头盔的结构设计能调整佩戴的高度和调节帽箍的尺寸，尺寸可以在47-68CM之间调节，每次调节5MM，以及一条三点式并有简易脱卸扣的下颌带；头盔的标准配置有一个多功能支托，头盔可以装配以下配件：面罩、护目镜、耳罩、脸防护皮、披肩、手电筒，呼吸面罩、前部手电筒支架、下颌托、Nomex帽托以及和闭合的通风装置。头盔可以喷成任何颜色。头盔两侧有反光条，使用户更加可见；头盔的重量（不含护目镜及选配附件）：800g ± 30g

II. 头盔结构

头盔基本部件，

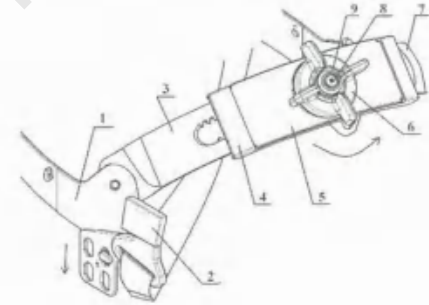
图1



1. Helmet shell; 2. Multifunctional holder; 3. Chin strap; 4. Main belt; 5. Pin; 6. Reflective element; 7. Ventilation shield; 8. Ventilation shift; 9. Sweatband insert; 10. Shock-absorbing insert; 11. Main latch (1); 12. Supporting tape (1); 13. Supporting tape (2); 14. Side latch; 15. Main latch (2); 16. Back plate; 17. Smooth regulation; 18. Neck protector; 19. Cover; 20. Headset mounting Point

III. REGULATING AND ADJUSTING THE HELMET

The helmet provides safety for the user only when it's worn and adjusted in the correct way and when the chin belt is buckled. To provide the user with a secure seating of the helmet on the head one must adjust the structure in the right way, regulate the height of wearing and head circumference.



Picture 2

1. Main belt; 2. Main latch; 3. Smooth regulation slot; 4. Smooth regulation holder; 5. Smooth regulation cover; 6. Knob; 7. Smooth regulation slot; 8. Screw 3x10; 9. Backing.

1. Regulation of the head circumference must be done by turning the knob (item 6 picture 2) - turning the knob as the arrow shows (anticlockwise) makes the head circumference smaller.
2. Regulation of the height of wearing the helmet on the head must be done by putting the main latches (item 2 picture 2) into one of the two positions. Moving the latches as the arrow shows makes the position of the helmet on the head higher.
3. The system of the four holes in the main latches (item 2 picture 2) makes it possible to adjust the helmet horizontally and changes the angle of wearing the helmet on the head by correct positioning of the main belt.
4. In order to adjust the height and change the angle of wearing the helmet on the head, one must take all the main latches out of their sockets in the shell by pulling the suspension tapes in the place of their sewing, and not by pulling the main belt. Then one must put the latches in the needed position and put the complete main belt back in the shell.

NOTE! When regulating do not tilt the main belt towards the inside of the shell!

The helmet for firefighters TYTAN MAX type HTM 102.00 provides full protection between -20°C and +50°C.

The internal equipment of the helmet consists of a 6-point system of retention tapes suspended by special latches. The leather sweatband padded with a soft polyurethane foam protects the forehead against abrasion and provides high comfort of use.

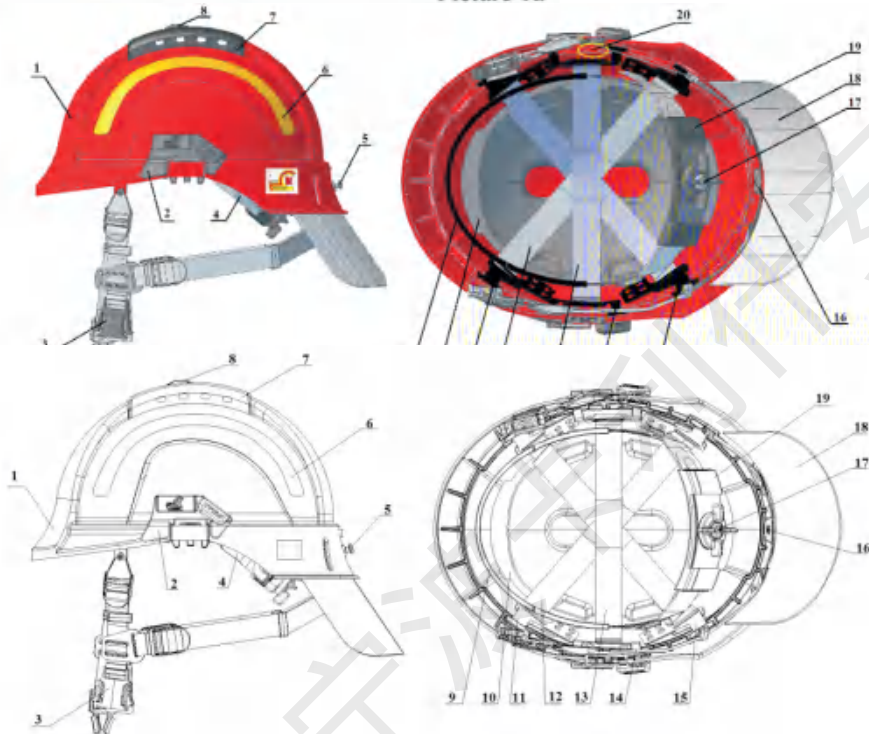
For secure seating of the helmet on the head, the structure of the helmet makes it possible to regulate the height of wearing and to adjust the head circumference every 5 mm between 47 and 68 cm, as well as a 3-point chin strap with an easy to fasten buckle.

As a standard option, the helmet is equipped with a multifunctional holder and the helmet shell with the sockets for installing the communication system – Picture 1a. Optionally, the helmet can be equipped with the following accessories: visor, goggles, ear protectors, face protector made of net or of polycarbonate, neck protector, torch, breathing mask, front torch holder, silicone chin, Nomex padding, a net protecting the ventilation holes and communication system. The helmet shell may be painted in any colour. On both sides of the helmet there are reflective elements which make the user more visible.

The weight of the helmet without additional equipment is 800 g±30g.

II. CONSTRUCTION OF THE HELMET

Picture 1a



Basic parts of the helmet are shown on Picture 1

- 1, 帽壳; 2, 多功能支托; 3, 下颌带; 4, 帽箍; 5, 护目镜扣; 6, 反光条;
- 7, 通风罩; 8, 通风开关; 9, 内置防汗带; 10, 内置缓冲层; 11, 主锁扣 (1);
- 12, 锁扣(1); 13, 锁扣(2); 14, 边锁扣; 15, 主锁扣(2); 16, 后锁扣;
- 17, 旋钮; 18, 披肩; 19, 后盖; 20, 耳罩悬挂点;

III. 头盔佩带的调节

头盔只有通过正确的调节方式在下颌带扣好情况下牢固佩带，才能保证使用者的安全。通过正确的调节方式，调节佩带的高度和帽箍的尺寸，使头盔安全的佩带在头部。

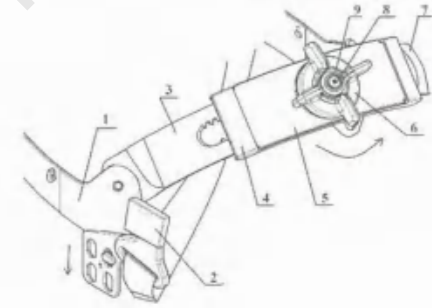


图2

- 1, 帽箍; 2, 主锁扣; 3, 滑动调节条; 4, 滑动调节支托; 5, 滑动调节盖;
- 6, 旋钮; 7, 滑动调节条; 8, 螺丝3X10; 9, 垫片;

1. 帽箍调节系统—通过旋转旋钮(图2部件6)来调节帽箍的尺寸。按箭头指示方向(逆时针)旋转旋钮，帽箍尺寸变小。
2. 把主锁扣(图2部件2)放在其中的一个位置，可以调节头盔佩带的高度。往箭头指示方向移动锁扣可以降低头盔佩带的高度。
3. 通过调节主锁扣上的四个孔(图2部件2)的位置和帽箍的尺寸，可以改变头盔佩带在头上的位置。
4. 在调节头盔佩带在头上的高度和角度时，需把所有的主锁扣从主锁扣插座中拔出，并重新固定帽箍在帽壳上。

注意！在调节时别把帽箍放在帽壳里面。

IV. 维护保养

1. 保持头盔整洁。
2. 帽壳、帽箍、下颌带可以用水和肥皂清洗。
3. 面罩的清洗, 不能使用汽油、苯或丙酮。

V. 储藏与转运

1. 头盔应储藏于干燥、通风的地方, 并避免阳光直照。防止化学物品对头盔的腐蚀。
2. 头盔可以通过箱式汽车、收集箱转运, 并防止进水、损坏和弄脏。

VI. 包修

保修期限24个月

1. 保修期限自购买日期起。
2. 头盔使用者须按照《使用说明书》规范使用, 并使用原装的, 未改装过的部件。
3. 保修范围包含由于头盔生产过程中由于材料缺陷引起的损坏,
4. 不包括使用过程中由于化学物品而引起的损坏。
5. 警告: 只有在正确佩戴和正确安装头盔时, 才能确保头盔提供的保护, 任何可拆卸部件不得单独使用。
6. 警告: 如果标记为符合欧洲标准的头盔安装了另一件个人防护设备或附件(头盔制造商提供的附件除外), 则可能不再满足欧盟型式检验证书的有效性。
7. 当头制造商提供的下颌带按照这些说明佩戴和调整时, 该头盔符合本欧洲标准的保留要求。
8. 头盔的设计有助于防止碰撞、划损和冲击。
9. 头盔能吸收部分撞击或损坏头盔所产生的能量。即使这种损坏可能不明显, 但任何受到严重冲击的头盔都应更换。
10. 除非按照头盔制造商的说明书, 否则不要涂油漆、溶剂和自粘标签。
11. 本头盔不适用于国际独木舟联合会提供的5级和6级急流水域。
12. 除头盔制造商建议的情况外, 用户还应注意修改或移除头盔任何原装部件的损坏。头盔不应以制造商不推荐的任何方式进行改装或安装附件。

**阅读: 头盔 (型号: HTM102.00, 系列: TYTAN MAX)
配件列表和技术性能检查**

头盔可以一直正常使用直到正常磨损破裂
(阅读: 技术性能检查)

当头盔的帽壳或里面的各部件受到强大的外力撞击而产生永久性的损坏时, 必须更换新的头盔。

VII. 各独立部件列表

- | | | |
|----------|----------|------------|
| 1. 带旋钮帽箍 | 2. 内置防汗带 | 3. 后盖 |
| 4. 缓冲带 | 5. 下颌带 | 6. 披肩 (选配) |

确认申明和其它资料请浏览网站www.kzpt.pl

产品由编号为0497的认证机构, 按照欧盟 (EU) 认证。

机构名称: CSI S. p.

地址: Le Lombardia 20/B; 20021 BOLLATE (MI)

更多信息请联系我们:

电话: +86 574 28858120

邮箱: stevie7@vip.sina.com

日期: 27. 06. 2019



Kaliskie Zakłady Przemysłu Terenowego w Kaliszu Sp. z o.o.

ul. Przybrzeżna 37, 62-800 Kalisz

tel.: +48 62 767 20 16, fax: +48 62 757 54 29

INSTRUCTION MANUAL

Helmet for firefighters TYTAN MAX type HTM 102.00
EC Examination Certificate No. DPI/0497/1125



I. GENERAL CHARACTERISTICS

The helmet for firefighters TYTAN MAX type HTM 102.00 complies with the requirements of the following standards:

- EN 16 471: 2014 Firefighters helmets. Helmets for wildland firefighting.
- EN 16 473: 2014 Firefighters helmets. Helmets for technical rescue.
- EN 12492:2012 Mountaineering equipment. Helmets for mountaineers. Safety requirements and test methods.
- EN 397: 2012 Industrial safety helmets – points 5.1.1, 5.2.1, 5. 1. 2.

The helmet can be used during rescue operations, including medical rescue; during natural disasters, e.g. meadow or forest fire.

Helmet for firefighters TYTAN MAX type HTM 102.00 belongs to III category of personal protection equipment PPE. The helmet can be used for wildland firefighting (forests, meadows) as well as for road and water rescue.

The materials used to produce the helmet, top quality and of enhanced mechanical parameters, guarantee maximum user protection against:

- short-lived contact with fire, mechanical injury caused by falling objects, protruding objects, solid splinters, contact with liquid chemicals, short-lived contact with live electric wires with alternating voltage up to 440V